

SmartX MS41-6353

310 lb-in (35 Nm) Direct-coupled Damper Actuator
Non-Spring Return

Product Description

The SmartX MS41-6353 non-spring return, 24 Vac, 310 lb-in, (35 Nm), direct-coupled, electronic damper actuators, provides modulating control of building HVAC dampers. It comes with a 3ft plenum cable to aid in installation.

The actuator is suited for use in constant or variable air volume installations for the control of supply/return air, mixed air, exhaust, rooftop units, and bypass dampers requiring up to 310 lb-in (35 Nm) torque.

Specifications

Torque:	310 lb-in (35 Nm)
Runtime for 90°	125 sec, 50/60 Hz
Frequency	50/60 Hz
Power consumption	8 VA
Equipment rating (24 Vac)	Class 2 per UL/CSA
Noise level	<45 dBA (running)
Angle of rotation	90° nominal, 95° max.
Shaft dimensions	3/8...1" (8...25.6 mm) dia. or 1/4...3/4. (6...18 mm) sq. 3/4 (20 mm) min. length
Operating temperature:	-25...130 °F (-32...55 °C)
Storage temperature:	-40...158 °F (-40...70 °C)
Ambient humidity:	95% rh (non-condensing)
Pre-cabled connection:	18 AWG, 3' (0.9 m) long
Enclosure:	NEMA 2, IP54 per EN 60529
Material:	Die-cast aluminum alloy
Agency listings CE conformity	UL873, cUL C22.2 No. 24-93 EMC directive 2014/30/EU
Gear Lubrication	Silicone-free
Weight	4.4 lbs (2 kg)

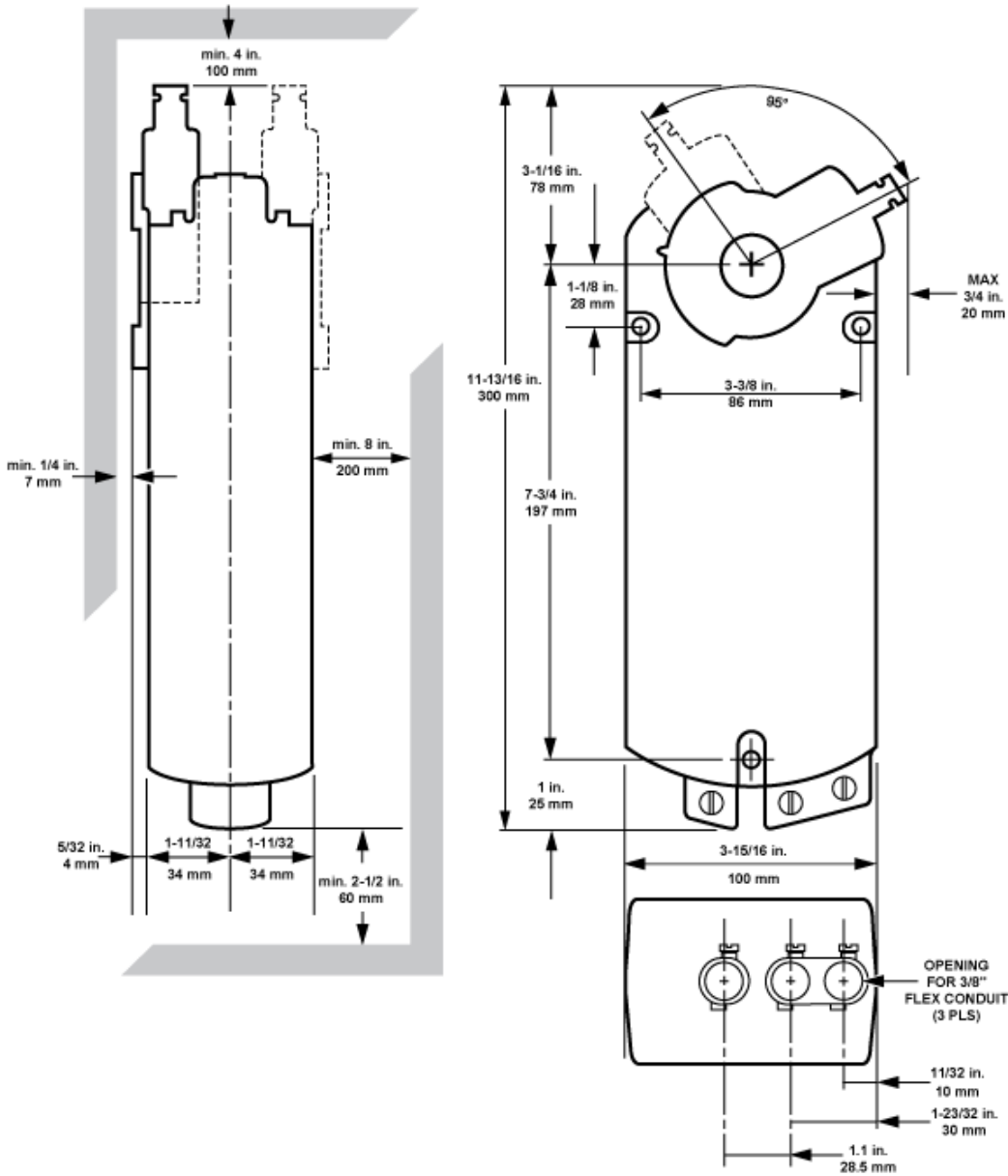


Features

- Unique, self-centering shaft coupling
- Built-in position feedback
- All metal housing
- Modulating control
- Built-in position feedback
- Manual override
- 5° preload as shipped from factory
- Mechanical range adjustment capability
- Easily visible position indicator
- Precabled

Dimensions

Figure 1. SmartX MS41-6353 Damper Actuator



Wiring Diagram

Figure 2. Modulating Control, 0...10 Vdc

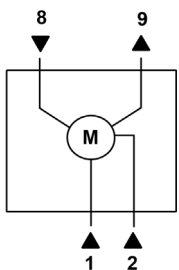


Table 1. Wire Designations

Symbol	Function	Terminal Designations	Color
1	Supply (SP)	G	Red
2	Neutral (SN)	G0	Black
8	0...10 Vdc input signal	Y	Gray
9	Output for 0...10 Vdc position indication	U	Pink