

**Differential pressure sensor Air**

Differential pressure transmitter with 8 selectable ranges and outputs 0...5 V, 0...10 V or 4...20 mA. For monitoring the differential pressure of air and other non-flammable and non-aggressive gases. Typical application in HVAC systems for monitoring air filters, fans V-belts as well as the use in pressure differential systems. Options available with LCD display, auto-zero feature. IP65 / NEMA 4X rated enclosure.



5-year warranty


**Type Overview**

Type	Measuring range pressure [Pa]	Measuring range pressure [inch WC]	Output signal active pressure	Burst pressure	Display type	Additional features
<b>22ADP-584</b>	-100...2500	-0.4...10	0...5 V, 0...10 V, 4...20 mA	160 inch WC [40 kPa]	-	-
<b>22ADP-584A</b>	-100...2500	-0.4...10	0...5 V, 0...10 V, 4...20 mA	160 inch WC [40 kPa]	-	Auto-Zero
<b>22ADP-584B</b>	-100...2500	-0.4...10	0...5 V, 0...10 V, 4...20 mA	160 inch WC [40 kPa]	LCD	Auto-Zero
<b>22ADP-584L</b>	-100...2500	-0.4...10	0...5 V, 0...10 V, 4...20 mA	160 inch WC [40 kPa]	LCD	-

**Technical data**

<b>Electrical Data</b>	Nominal voltage	AC/DC 24 V
	Nominal voltage range	AC 19...29 V / DC 15...35 V
	Power consumption AC	4.3 VA
	Power consumption DC	2.3 W
	Electrical connection	Pluggable spring loaded terminal block max. 2.5 mm <sup>2</sup>
	Cable entry	Cable gland with strain relief Ø6...8 mm (1/2" NPT conduit adapter included)
<b>Functional Data</b>	Sensor Technology	piezo measuring element
	Application	air
	Multirange	8 measuring ranges selectable
	Voltage output	1 x 0...5 V, 0...10 V, min. resistance 10 kΩ
	Current output	1x 4...20 mA, max. resistance 500 Ω
	Output signal active note	Output 0...5/10 V selectable with switch
	Display	LCD, 1.14x1.38 in. [29x35 mm] With backlight Measured values: Pa, inch WC (programmable)
Response time	adjustable 0.8 s or 4.0 s	
<b>Measuring Data</b>	Measured values	Differential pressure
	Measuring fluid	air and non-aggressive gases

<b>Measuring Data</b>	Measuring range pressure settings	Setting	Range [Pa]	Range [inch WC]	Factory setting
		S0	0...2500	0...10	✓
		S1	0...2000	0...8	
		S2	0...1500	0...6	
		S3	0...1000	0...4	
		S4	0...500	0...2	
		S5	0...250	0...1	
		S6	0...100	0...0.4	
	S7	-100...100	-0.4...0.4		
	Accuracy pressure	measuring range ≤2 inch WC: ±0.02 inch WC measuring range >2 inch WC: ±0.04 inch WC			
	Long-term stability	±2.5% FSO (Full Scale Output) / 4 yr.			
<b>Materials</b>	Cable gland	PA6, black			
	Housing	Cover: PC, orange Bottom: PC, orange Seal: NBR70, black UV resistant			
<b>Safety Data</b>	Protection class IEC/EN	III, Safety Extra-Low Voltage (SELV)			
	Power source UL	Class 2 Supply			
	Degree of protection IEC/EN	IP65			
	Degree of protection NEMA/UL	NEMA 4X			
	Enclosure	UL Enclosure Type 4X			
	EU Conformity	CE Marking			
	Certification IEC/EN	IEC/EN 60730-1 and IEC/EN 60730-2-6			
	Quality Standard	ISO 9001			
	UL Approval	cULus acc. to UL60730-1A/-2-6, CAN/CSA E60730-1			
	Mode of operation	Type 1			
	Rated impulse voltage supply	0.8 kV			
	Construction	Independently mounted control			
	Pollution degree	3			
	Ambient humidity	Max. 95% RH, non-condensing			
Ambient temperature	-10...50°C [15...122°F]				
Fluid temperature	-10...50°C [15...122°F]				

**Safety Notes**


This device has been designed for use in stationary heating, ventilation and air-conditioning systems and must not be used outside the specified field of application. Unauthorized modifications are prohibited. The product must not be used in relation with any equipment that in case of a failure may threaten humans, animals or assets.

Ensure all power is disconnected before installing. Do not connect to live/operating equipment.

Only authorized specialists may carry out installation. All applicable legal or institutional installation regulations must be complied during installation.

The device contains electrical and electronic components and must not be disposed of as household refuse. All locally valid regulations and requirements must be observed.

**Remarks**
**Automated zero-point calibration (Auto Zero)**

Transmitters equipped with the auto-zero calibration are maintenance-free.

The auto-zero calibration electronically adjusts the transmitter zero every 10 minutes. The function eliminates all output signal drift due to thermal, electronic or mechanical effects. The auto-zero adjustment takes approx. 4 seconds after which the device returns to its normal measuring mode. During the 4 second adjustment period, the output and display values will freeze to the latest measured value.

**Manual zero-point calibration**

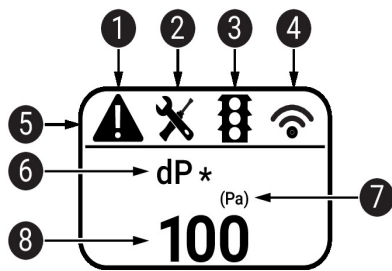
In normal operation zero-point calibration should be executed every 12 months.

Attention! For executing zero-point calibration the power supply must be connected one hour before.

- Release both connection tubes from the pressure terminals + and -
- Press the button until the LED lights permanently
- Wait until the LED flashes again and reinstall the connection tubes to the pressure ports (note + and -)

**Operating controls and indicators**
**Indicator elements**

Depending on the device and the number of measured values, the display automatically scales. Parameters, such as the fading in/out of measured values, brightness and traffic light function, are changed via the app or bus system. During the boot process, the software and hardware versions are displayed.



- ❶ Fault / sensor failure
- ❷ Service / visual inspection due
- ❸ TLF (traffic light function) active (thresholds for display colour changes)
- ❹ Radio active (not available)
- ❺ Status bar
- ❻ Measured value (\* appears when TLF function is activated for this value)
- ❼ Unit of measure
- ❽ Measured value

**Scope of delivery**

Scope of delivery	Description	Type
	Mounting plate L housing	A-22D-A10
	Duct connector kit, PVC tube 2 m, 2 connection elements (Plastic) for 22ADP-..	A-22AP-A08
	Dowel	
	Screws	
	1/2" NPT conduit adapter	

**Accessories**

Optional accessories	Description	Type
	Pitot tube, Metal, L 1.5", Tube connection 0.2"	A-22AP-A01
	Pitot tube, Metal, L 4", Tube connection 0.2"	A-22AP-A03
Tools	Description	Type
	Belimo Duct Sensor Assistant App	Belimo Duct Sensor Assistant App
	Bluetooth dongle for Belimo Duct Sensor Assistant App	A-22G-A05
	* Bluetooth dongle A-22G-A05	

Certified and available in North America, European Union, EFTA States and UK.

**Service**

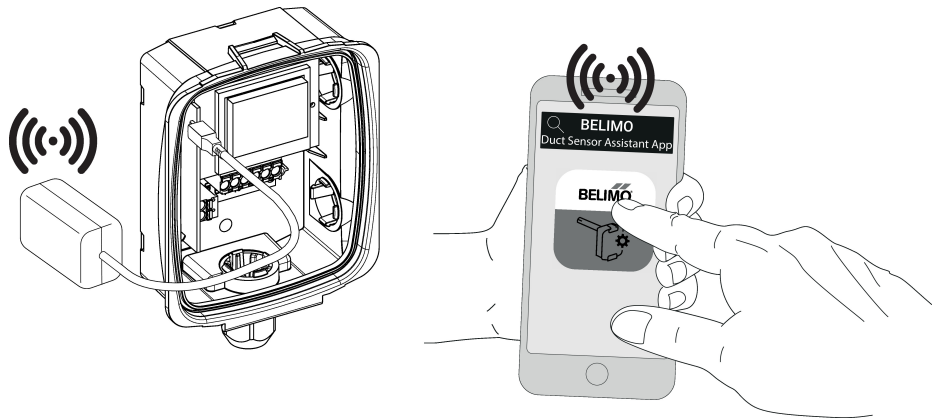
**Service tools connection** This sensor can be operated and parametrized using the Belimo Assistant App. When using the Belimo Duct Sensor Assistant App, the Bluetooth dongle is required to enable communication between the app and the Belimo sensor. For the standard operation and parametrization of the sensor the Bluetooth dongle and the Belimo Duct Sensor Assistant App are not needed. The sensor will arrive pre-configured with the factory default settings shown above.

Requirement:

- Bluetooth dongle (Belimo Part No: A-22G-A05)
- Bluetooth-capable smartphone
- Belimo Duct Sensor Assistant App (Google Play & Apple App Store)

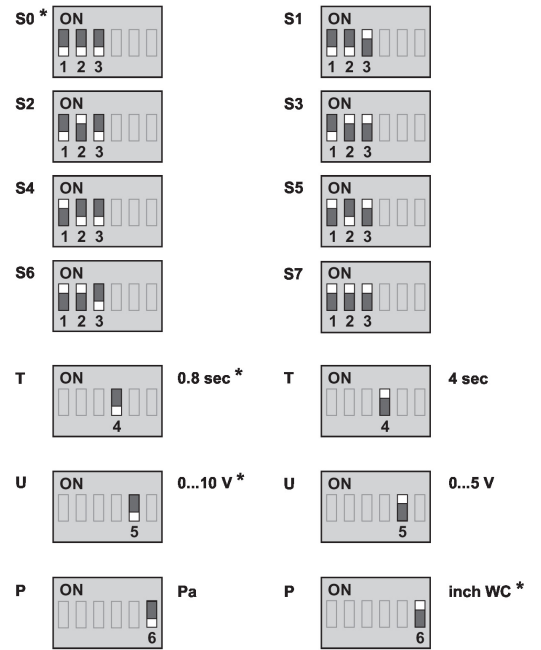
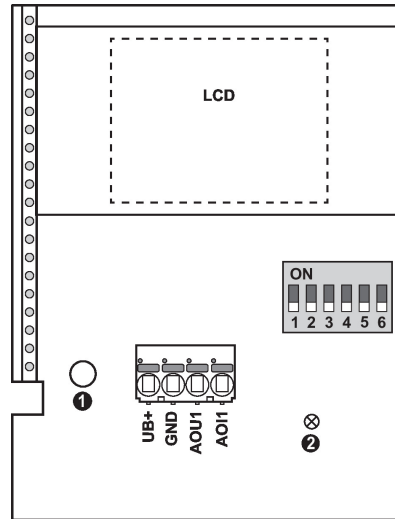
Procedure:

- Plug the Bluetooth dongle into the sensor via the Micro-USB connector or by means of the interface PCB
- Connect Bluetooth-capable smartphone with Bluetooth dongle
- Select parametrization in the Belimo Assistant App

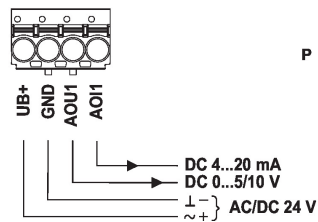
**Wiring Diagram**

**Notes** When switching from 0...10 V to 0...5 V output voltage also the current will be adjusted from 4...20 mA to 4...12 mA.





- ① Button
- ② Status LED
- \* Factory setting
- P Pressure unit
- T Response time
- U Output signal

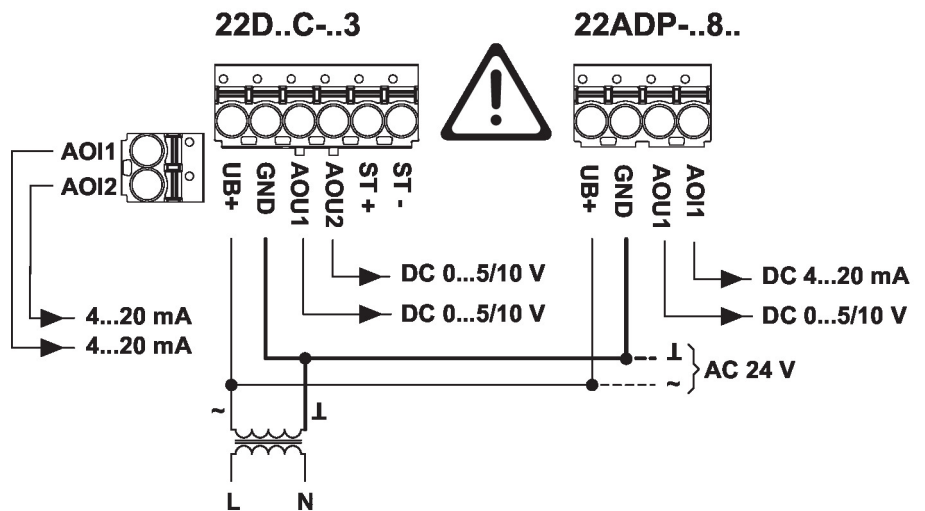


Setting	Range [Pa]	Range [inch WC]	Factory setting
S0	0...2500	0...10	✓
S1	0...2000	0...8	
S2	0...1500	0...6	
S3	0...1000	0...4	
S4	0...500	0...2	
S5	0...250	0...1	
S6	0...100	0...0.4	
S7	-100...100	-0.4...0.4	

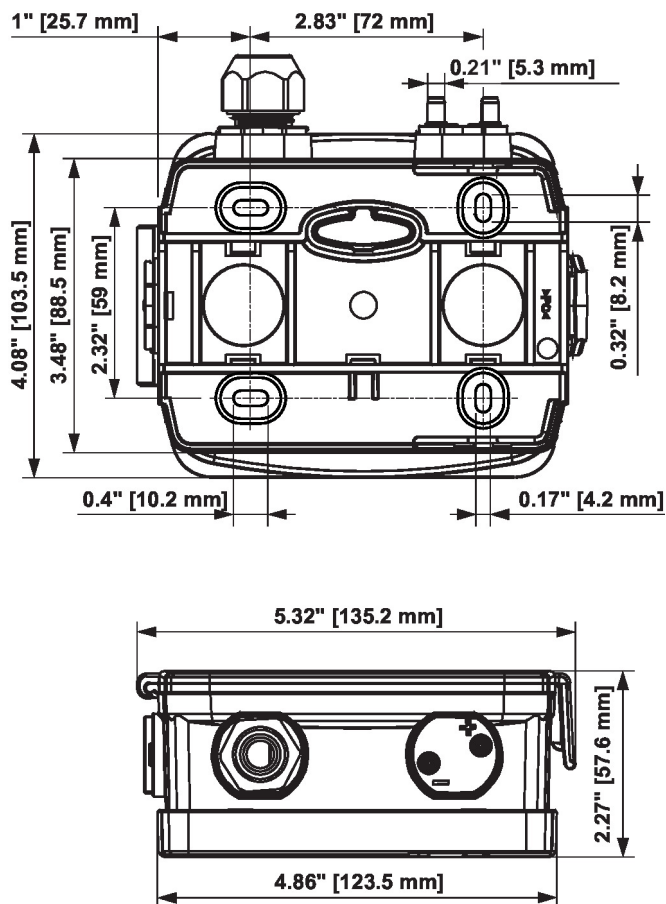
**Wiring note power supply AC**

For the sensor to function properly, polarity must be observed with a DC supply as well as an AC supply.

If the AC supply is connected incorrectly, i.e. if the wires are reversed, this can lead to the destruction of the sensor.



Dimensions



Type	Weight
22ADP-584	0.84 lb [0.38 kg]
22ADP-584A	0.82 lb [0.37 kg]
22ADP-584B	0.88 lb [0.40 kg]
22ADP-584L	0.90 lb [0.41 kg]