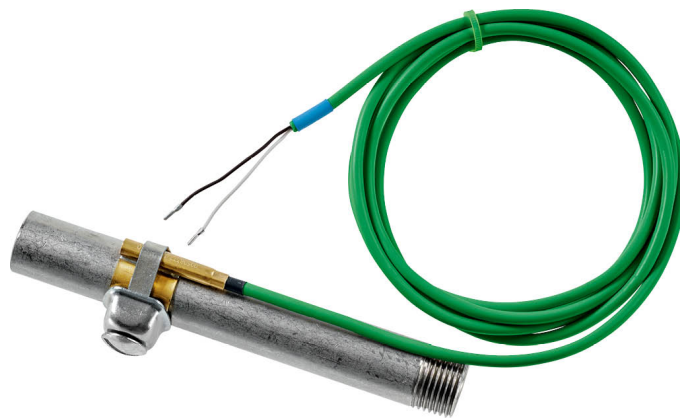


**Contact temperature sensor**

For temperature measurement on pipe and arched surfaces. Plenum rated cable and a brass probe for fast response and accuracy.



5-year warranty


**Type Overview**

Type	Output signal passive temperature
01ST-5A3	Pt100
01ST-5B3	Pt1000
01ST-5E3	Ni1000 (JCI)
01ST-5L3	NTC10k (10k2)
01ST-5M3	NTC10k3 (Precon)
01ST-5Q3	NTC20k

**Technical data**

<b>Electrical Data</b>	Electrical connection	cable 6.5 ft [2 m], 2-wire	
	Cable specification	1 pair shielded plenum cable, 22AWG tinned copper, green jacket, -40...300°F [-40...150°C], 300 V	
<b>Functional Data</b>	Application	water	
	Output signal passive temperature	Pt100 Pt1000 Ni1000 (JCI) NTC10k (10k2) NTC10k3 (Precon) NTC20k	
	Measured values	Temperature	
	Measuring range temperature	-40...300°F [-40...150°C]	
	Accuracy temperature passive	Passive sensors depending on used type Pt.. : ±0.5°F @ 32°F [±0.3°C @ 0°C] Ni.. : ±0.7°F @ 32°F [±0.4°C @ 0°C] NTC.. : ±0.35°F @ 77°F [±0.2°C @ 25°C]	
<b>Measuring Data</b>	Measuring current	Pt100: <1 mA @ 32°F [0°C] Pt1000: <0.3 mA @ 32°F [0°C] Ni1000 (JCI): <5 mA @ 21°C [70°F] NTC10k2: <2 mA @ 77°F [25°C] NTC10k3: <2.7 mA @ 77°F [25°C] NTC20k: <0.5 mA @ 77°F [25°C]	
	Time constant τ (63%) on water pipe	With thermal contact fluid Typical 17 s	
	<b>Safety Data</b>	Ambient humidity	Max. 95% RH, non-condensing
		Ambient temperature	-40...300°F [-40...150°C]
		Fluid temperature	-40...300°F [-40...150°C]
Protection class IEC/EN		III, Protective Extra-Low Voltage (PELV)	
Power source UL	Class 2 Supply		

<b>Safety Data</b>	Certification IEC/EN	IEC/EN 60730-1
	Certification UL	cULus acc. to UL60730-1A/-2-9, CAN/CSA E60730-1/-2-9
	Degree of protection IEC/EN	IP65
	Quality Standard	ISO 9001
	Mode of operation	Type 1
	Pollution degree	3
	Rated impulse voltage supply	0.8 kV
	Construction	Independently mounted control
	Method of mounting control	Surface mounted

**Safety Notes**


This device has been designed for use in stationary heating, ventilation and air-conditioning systems and must not be used outside the specified field of application. Unauthorized modifications are prohibited. The product must not be used in relation with any equipment that in case of a failure may threaten humans, animals or assets.

Ensure all power is disconnected before installing. Do not connect to live/operating equipment. Only authorized specialists may carry out installation. All applicable legal or institutional installation regulations must be complied during installation.

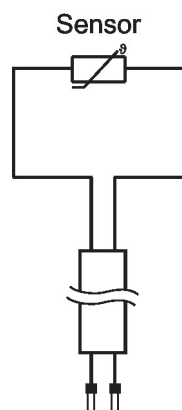
The device contains electrical and electronic components and must not be disposed of as household refuse. All locally valid regulations and requirements must be observed.

**Scope of delivery**

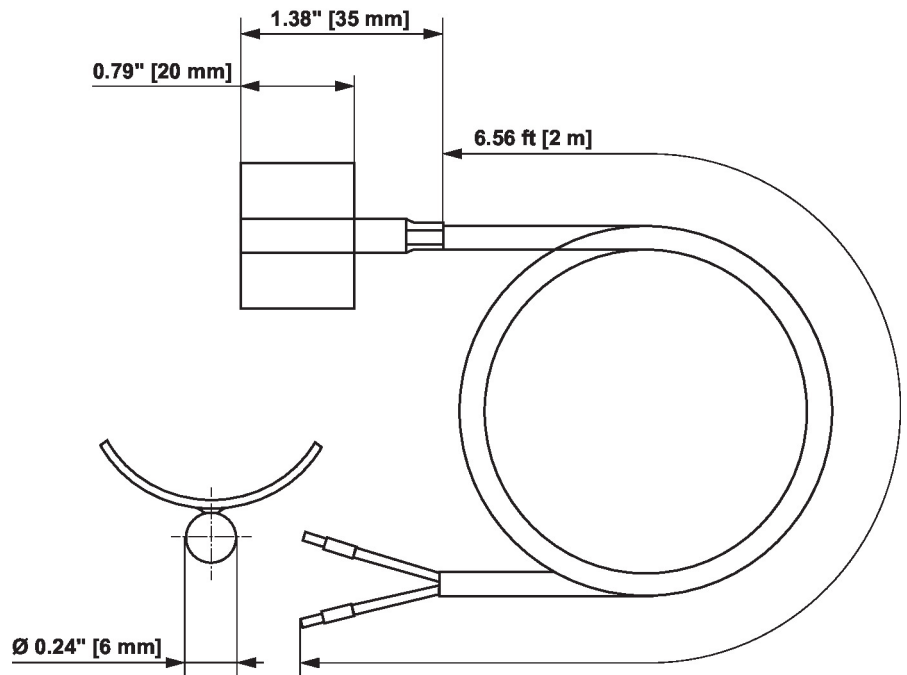
Scope of delivery	Description	Type
	Fixing strap, for pipes 0.8...4.3" [Ø 20...110 mm]	A-22P-A47

**Accessories**

Optional accessories	Description	Type
	Fixing strap, for pipes Ø 0.8...9.8" [20...250 mm]	A-22P-A49
	Syringe with thermal paste	A-22P-A44

**Wiring Diagram**


## Dimensions



Type	Weight
01ST-5A3	0.13 lb [0.06 kg]
01ST-5B3	0.13 lb [0.06 kg]
01ST-5E3	0.13 lb [0.06 kg]
01ST-5L3	0.13 lb [0.06 kg]
01ST-5M3	0.13 lb [0.06 kg]
01ST-5Q3	0.13 lb [0.06 kg]