

2-year warranty

Technical data

<b>Functional data</b>	Fluid	chilled or hot water and steam
	Fluid Temp Range (water)	-22...250°F [-30...120°C]
	Mounting Position	configuration specific (X10-X35)
	Applicable Valve Size	16" [400]
<b>Materials</b>	Stem	stainless steel
	Frame, plate, base	stainless steel
	Coupling	stainless steel
<b>Suitable actuators</b>	Non-Spring	SY9
		SY10
		SY11
		SY12

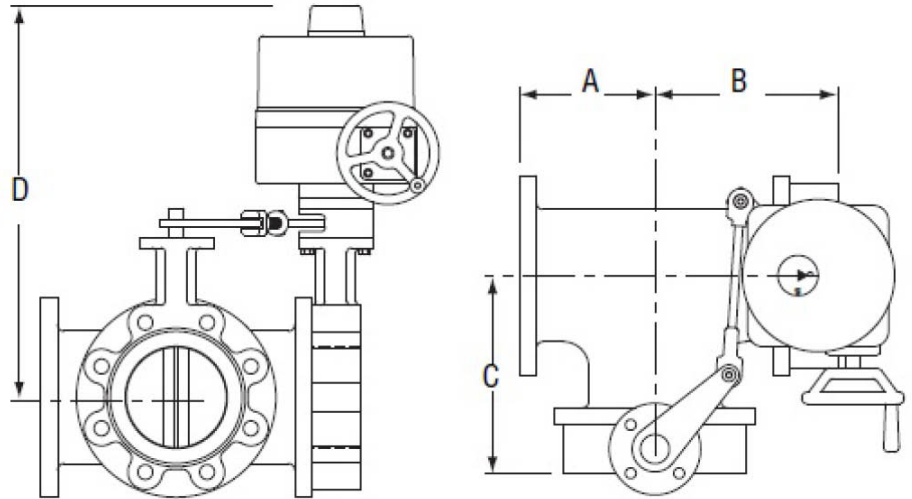
For close-off pressure reference Select Pro or retrofit technical documentation.

Product features

- Default/Configuration** The actuator is sold separately from the linkage. This allows users to select the specified actuator with the desired control signal. Since the linkage utilizes standard SY actuators, they can be purchased at any time and mounted in the field.
- Application** The UFSP Custom retrofit kit is designed courtesy of the Retrofit Form to easily attach to the valve mounting pad on select competitor valves utilizing Belimo SY industrial series actuators. This kit will help to restore service without removal of the valve, saving down time. The UFSP retrofit kit is available in various configurations for use with both 2-way and 3-way valves.
- Operation** The UFSP and mounted actuator(s) are capable of rotating 95° in both CW and CCW directions. This allows the disc to fully open or close. When directional needs vary, the actuator's directional switch can be flipped to change the rotation. The SY is NEMA 4 rated and can be used outdoors.

Dimensions

Dimensional drawings



A	B	C	D
16.6" [422]	19.8" [502]	19.8" [502]	39.3" [997]