



5-year warranty



2-year warranty



Type overview

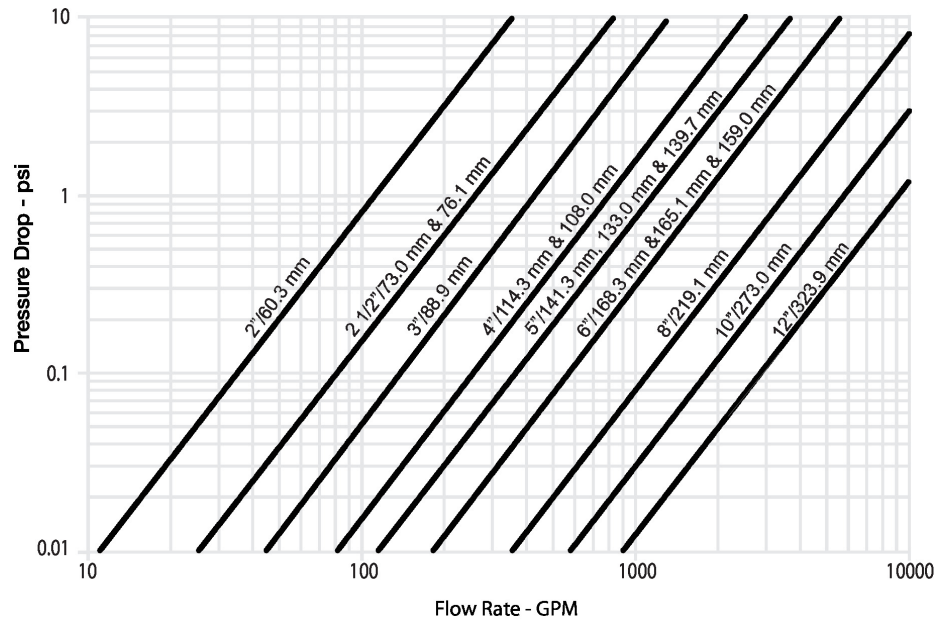
Type	DN
F7150VIC	150

Technical data

<b>Functional data</b>	Valve size [mm]	6" [150]
	Fluid	chilled or hot water, up to 60% glycol
	Fluid Temp Range (water)	-22...250°F [-30...120°C]
	Body Pressure Rating	ANSI Class Grooved AWWA, 300 psi
	Close-off pressure Δps	200 psi
	Flow characteristic	modified linear
	Servicing	maintenance-free
	Flow Pattern	3-way Mixing/Diverting
	Leakage rate	0%
	Controllable flow range	90° rotation
	Cv	1800
Maximum Velocity	20 FPS	
<b>Materials</b>	Valve body	Ductile cast iron ASTM A536
	Body finish	black alkyd enamel
	Stem	416 stainless steel
	Stem seal	fiberglass with TFE lining
	Seat	EPDM
	Pipe connection	grooved ANSI/AWWA (c606)
	Disc	electroless nickel coated ductile iron
<b>Suitable actuators</b>	Non-Spring	SY4 PRB(X)

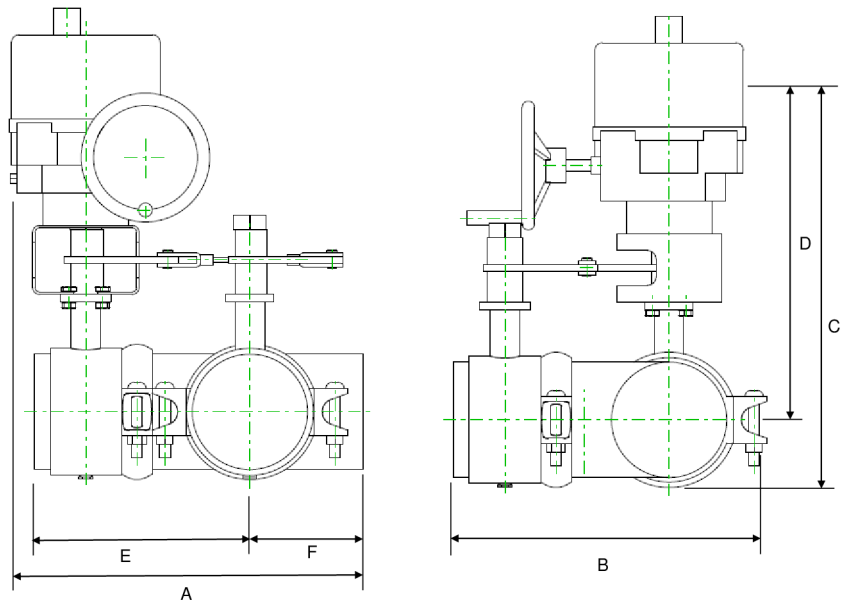
Product features

Flow/Mounting details



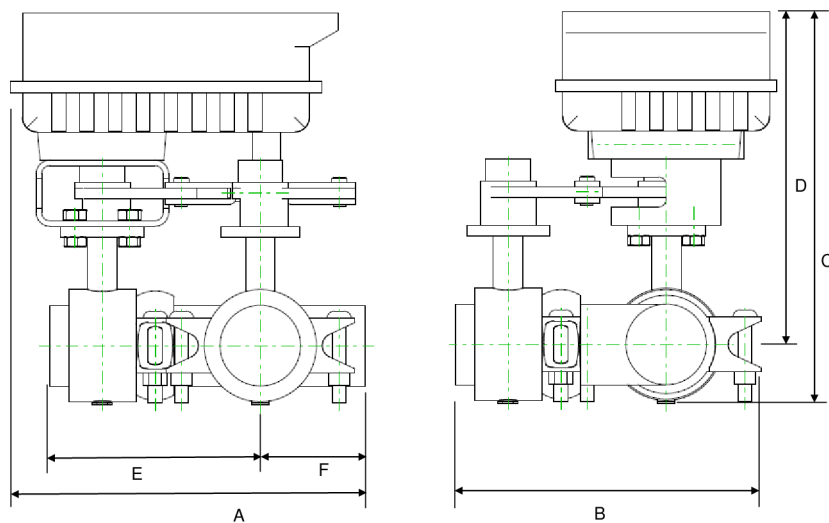
Dimensions

Type	DN	Weight
F7150VIC	150	77.2 lb [35 kg]



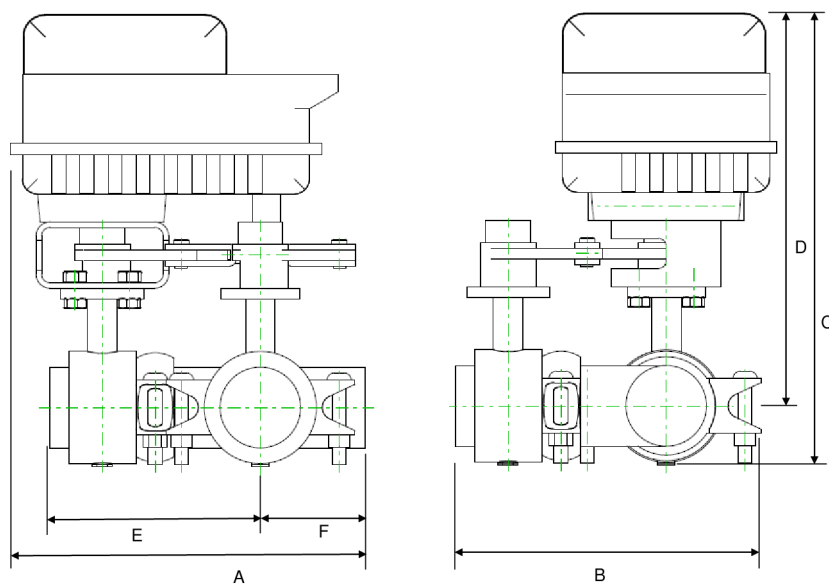
SY4-6

A	B	C	D	E	F
20.3" [515]	20.3" [515]	27.0" [686]	23.2" [590]	14.6" [372]	6.5" [165]



PRB(X)

A	B	C	D	E	F
20.3" [515]	20.3" [515]	27.0" [686]	14.4" [366]	14.6" [372]	6.5" [165]



PK

A	B	C	D	F
20.3" [515]	20.3" [515]	19.8" [502]	16.4" [417]	6.5" [165]