



5-year warranty



Type overview

Type	DN
B350	50

Technical data

<b>Functional data</b>	Valve size [mm]	2" [50]	
	Fluid	chilled or hot water, up to 60% glycol	
	Fluid Temp Range (water)	0...250°F [-18...120°C]	
	Body Pressure Rating	400 psi	
	Close-off pressure Δps	200 psi	
	Flow	A-port: as stated in chart B-port: 70% of A – AB Cv	
	Flow characteristic	A-port equal percentage, B-port modified for constant common port flow	
	Servicing	maintenance-free	
	Flow Pattern	3-way Mixing/Diverting	
	Leakage rate	0% for A – AB, <2.0% for B – AB	
	Controllable flow range	75°	
	Cv	57	
	<b>Materials</b>	Valve body	Nickel-plated brass body
		Stem	stainless steel
Stem seal		EPDM (lubricated)	
Seat		PTFE	
Characterized disc		TEFZEL®	
Pipe connection		NPT	
O-ring		EPDM (lubricated)	
Ball		stainless steel	
<b>Suitable actuators</b>	Non-Spring	ARB(X)	
	Spring	AF	

Safety notes



- WARNING: This product can expose you to lead which is known to the State of California to cause cancer and reproductive harm. For more information go to [www.p65warnings.ca.gov](http://www.p65warnings.ca.gov)

Product features

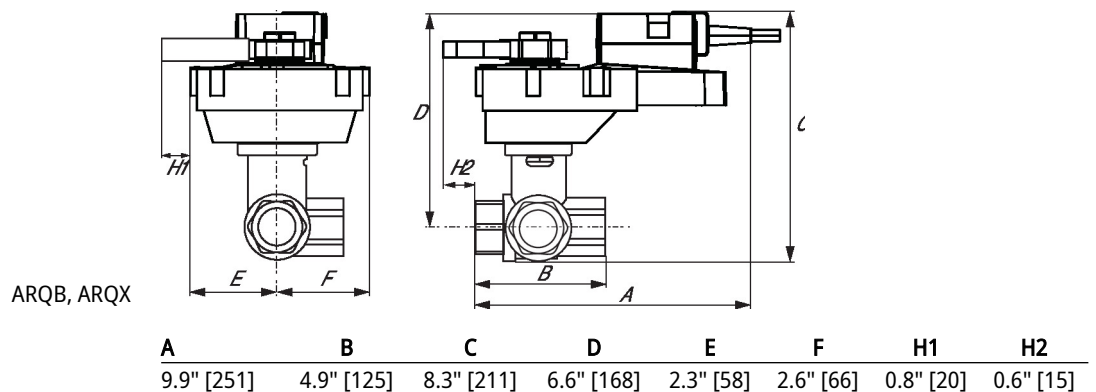
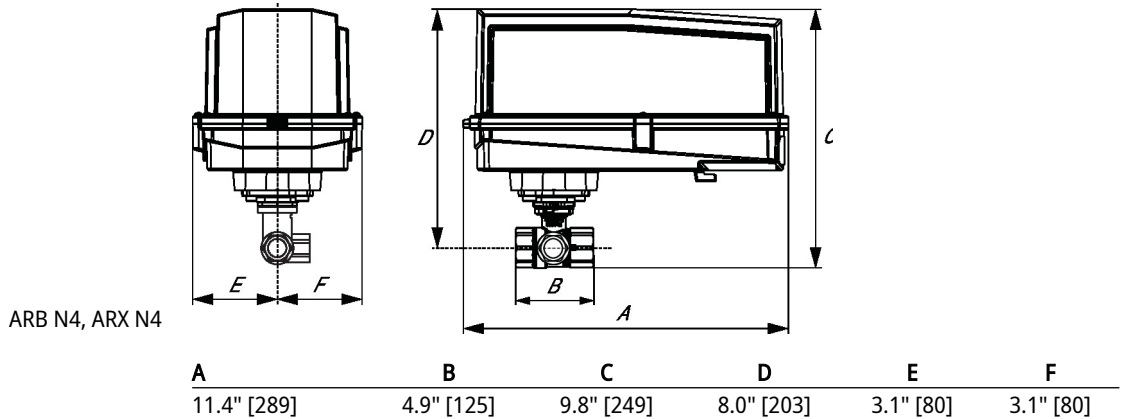
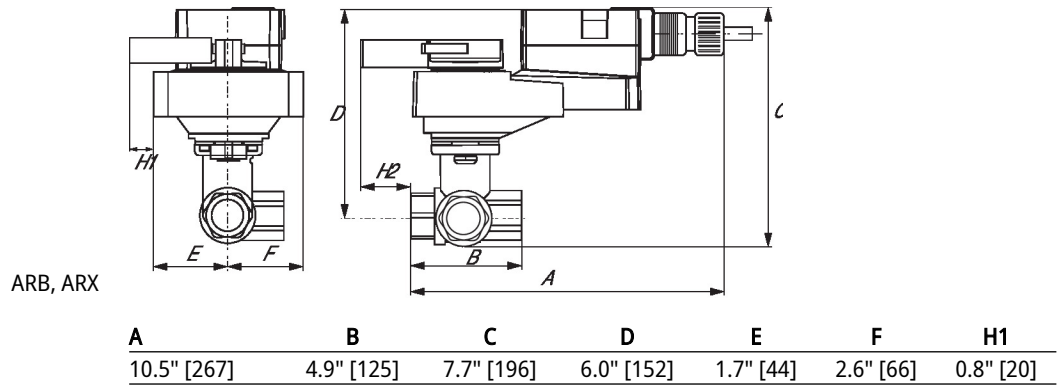
**Application** This valve is typically used in air handling units on heating or cooling coils, and fan coil unit heating or cooling coils. Some other common applications include Unit Ventilators, VAV box re-heat coils and bypass loops. This valve is suitable for use in a hydronic system with variable or constant flow.

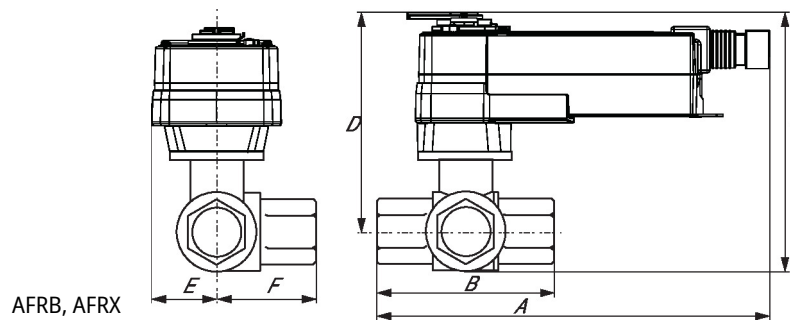
Flow/Mounting details



Dimensions

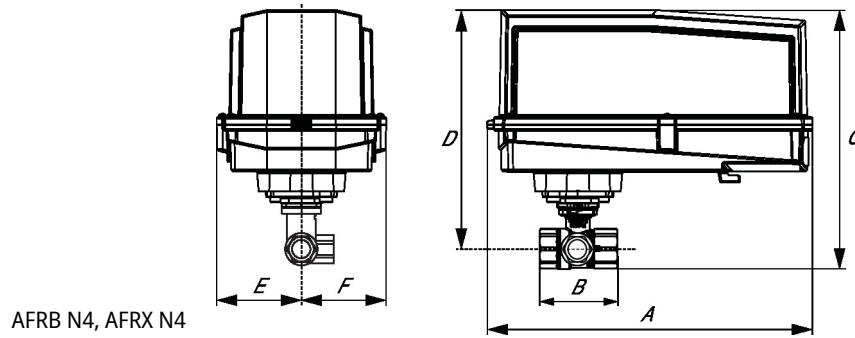
<b>Type</b>	<b>DN</b>	<b>Weight</b>
B350	50	5.51 lb [2.5 kg]





AFRB, AFRX

A	B	C	D	E	F
11.3" [286]	4.9" [125]	8.3" [211]	6.6" [168]	2.6" [66]	2.6" [66]



AFRB N4, AFRX N4

A	B	C	D	E	F
13.0" [330]	4.9" [125]	11.8" [300]	9.9" [251]	3.7" [95]	3.7" [95]