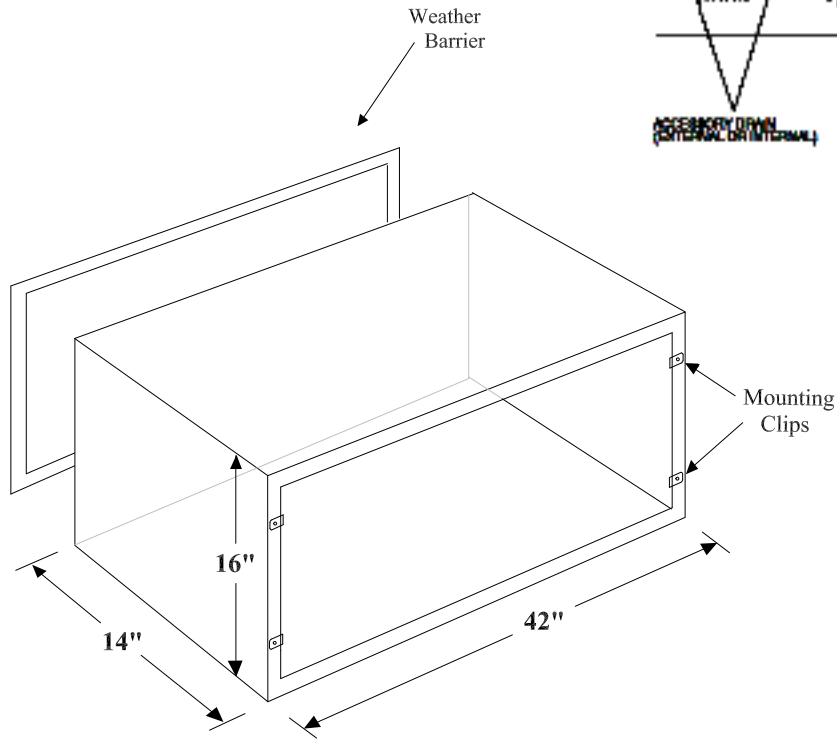
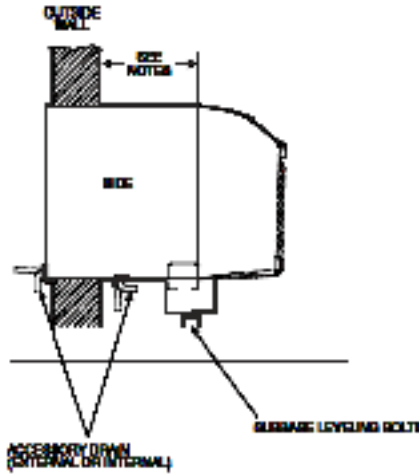
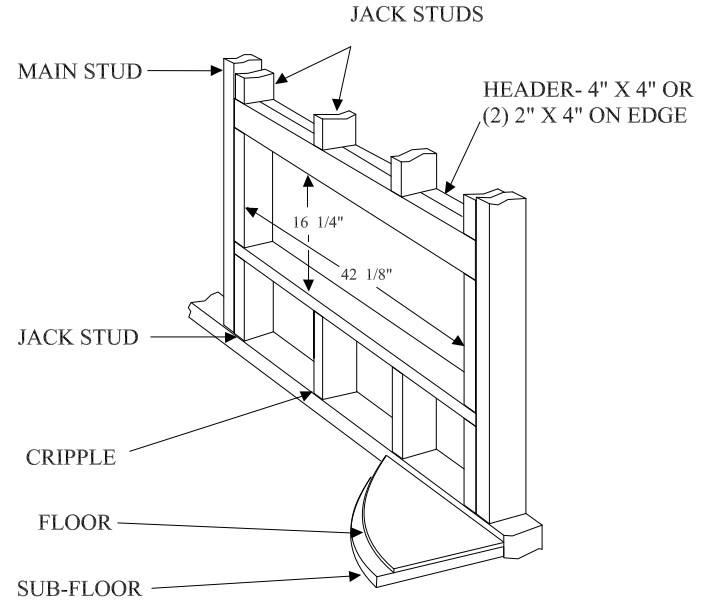




PROVEN PRODUCTS FOR THE HVAC INDUSTRY



PART NUMBER : PTAC-SLEEVE-SE-INS



Framing and Minimum Wall Sleeve Opening

TITLE **STD. METAL WALL SLEEVE CERTIFIED DRAWING**

DRAWING RELEASE LEVEL:		First America Products, LLC		
THIRD ANGLE PROJECTION	UNLESS OTHERWISE SPECIFIED DIMENSIONS ARE IN MILLIMETERS TOLERANCES ON:		THIS DOCUMENT AND THE INFORMATION CONTAINED THEREIN IS PROPRIETARY TO FIRST AMERICA PRODUCTS, LLC AND SHALL NOT BE USED OR DISCLOSED TO OTHERS, IN WHOLE OR IN PART, WITHOUT THE WRITTEN AUTHORIZATION OF FIRST AMERICA PRODUCTS, LLC.	
MATERIAL	0 DEC	1 DEC		2 DEC
Powder Coated, 20 ga., Galvalume Steel	±1.0	±0.8	±0.25	±1.0°
WEIGHT:	ENGINEERING	MANUFACTURING	TITLE	
SURFACE FINISH	DRAFTER	CHECKER	DIMENSIONAL DRAWING	
	MOBEL (INTERNAL USE ONLY)		STD. METAL WALL SLEEVE	
			SIZE	
			DRAWING NUMBER	
			REV	
			SHEET   OF	
			SCALE	
			DISTRIBUTION	