



5-year warranty

**Type overview**

Type	Stroke
SGVL	0.95" [24 mm]

**Technical data**

<b>Functional data</b>	Fluid	chilled or hot water and steam
	Fluid Temp Range (water)	Please Refer to Manufacturer's Valve Specifications
	Mounting Position	360°
	Applicable valve size	0.5...2" [15...50]
<b>Materials</b>	Hardware	SS and Nickel plated steel
	Stem adapter	steel
	Frame, plate, base	aluminum
	Collar	aluminum (fits VB7 1/2" to 2" /VB9 1/2"-1-1/4" valves) also fits post 1994 1-1/2" to 2" valves
	Coupling	GF Nylon supplied
<b>Suitable actuators</b>	Non-Spring	LVB(X) SVB(X)
	Electrical fail-safe	LVKB(X) SVKB(X)

For close-off pressure reference Select Pro or retrofit technical documentation.

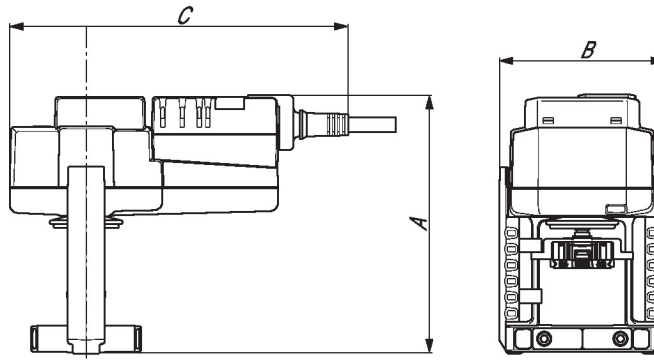
**Product features**

<b>Default/Configuration</b>	The default set up for a SGVL linkage will be factory installed along with a LV or SV series actuator. Included in the kit will be all the necessary hardware to facilitate mounting to the Schneider valve.
------------------------------	--

**Dimensions**

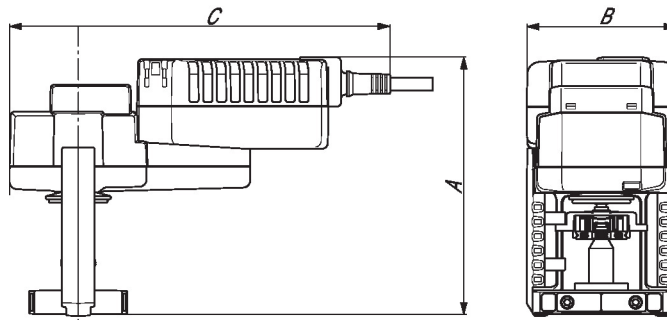
Type	Weight
SGVL	1.1 lb [0.50 kg]

LVB, LVX, SVB, SVX



A	B	C
6.0" [152]	3.8" [97]	7.9" [201]

LVKB, LVKX, SVKB, SVKX



A	B	C
6.7" [171]	3.8" [97]	8.1" [206]