



5-year warranty

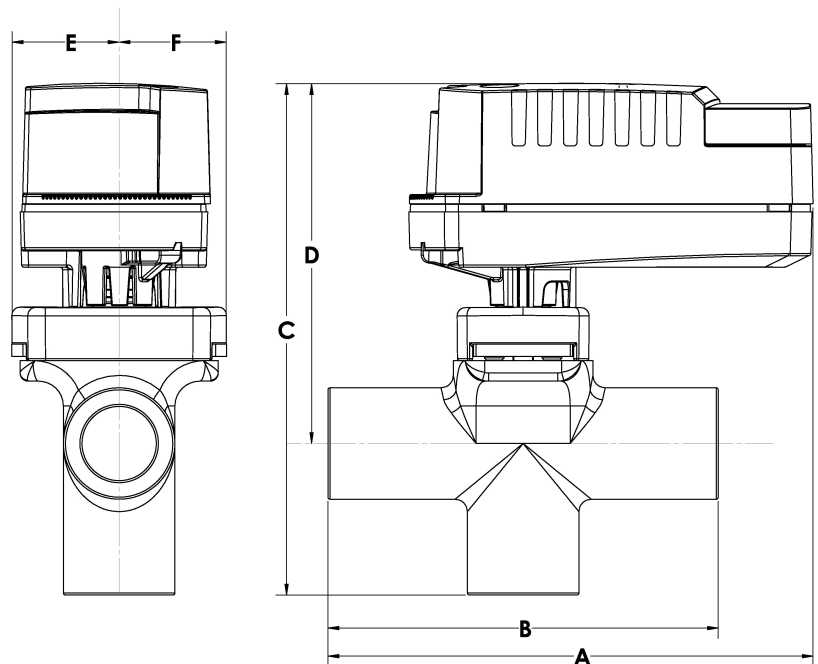
## Technical data

<b>Functional data</b>	Fluid Temp Range (water)	Please Refer to Manufacturer's Valve Specifications
	<hr/>	
<b>Materials</b>	Hardware	Stainless Steel
	Stem adapter	Stainless Steel
	Collar	Nylon 66
	Coupling	Stainless Steel
<hr/>		
<b>Suitable actuators</b>	Non-Spring	CQB
	Electrical fail-safe	CQKB(X)

## Product features

**Application** The UBLK1000 retrofit kit is designed to easily attach to the TACO Zone Sentry zone valve utilizing Belimo CQ and CQK series actuators. This ensures minimal downtime and reliable actuation all backed by a 5-year warranty.

## Dimensions



CQ/CQK

A	B	C	D	E	F
4.6" [118]	3.7" [95]	4.9" [124]	3.4" [87]	1.0" [25]	1.0" [26]